

NOTES:

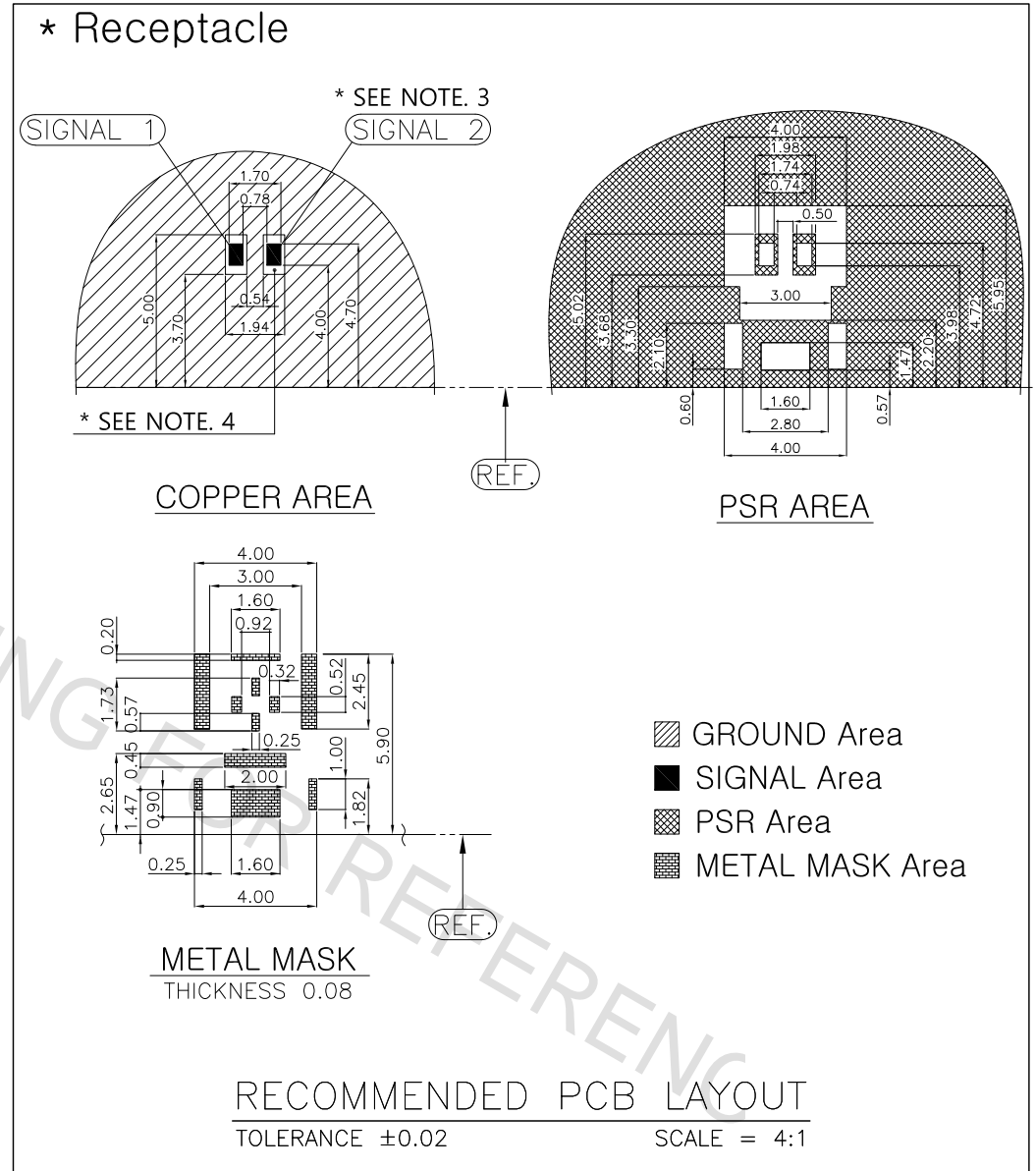
- THIS RECEPTACLE IS PAIRED WITH A PLUG FROM THE MG210 SERIES
- RECEPTACLE MATERIAL
  - HOUSING : Zn (Ni-Plated)
  - SHELL : STS (Ni-Plated)
  - C-CLIP : YCUT (Au-Plated)
  - INSULATOR : LCP
- PIN ASSIGNMENT
 

PIN 1 ← → SIGNAL 1  
 PIN 2 ← → SIGNAL 2
- NON COPPER AREA

5. TOLERANCE

ANGLE		±3°
LINEAR	UP TO 6	±0.2
	OVER 6 UP TO 30	±0.3
	OVER 30 UP TO 120	±0.5

6. COPLANARITY : 0.08mm



RECOMMENDED PCB LAYOUT  
 TOLERANCE ±0.02 SCALE = 4:1

NO.	PART NO.	DESCRIPTION	Q'TY	MATERIAL	REMARKS	REV.	
MATERIAL	N/A	DRAW	DESIGN	CHECK	APPRO.	TITLE	
FINISH	N/A					RECEPTACLE	
TOLERANCE	*SEE NOTE. 5	01/25			01/25	PART NO. MG210RE01 DWG NO.	
SCALE	8/1	UNIT mm	MODEL				
REVISION	A	SHEET 1/1	CP. NAME				