

1

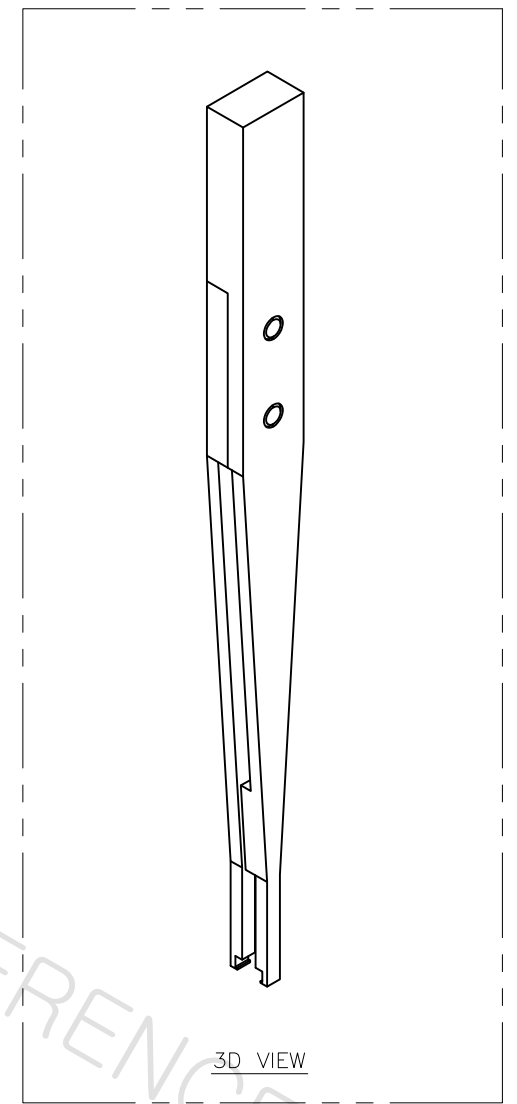
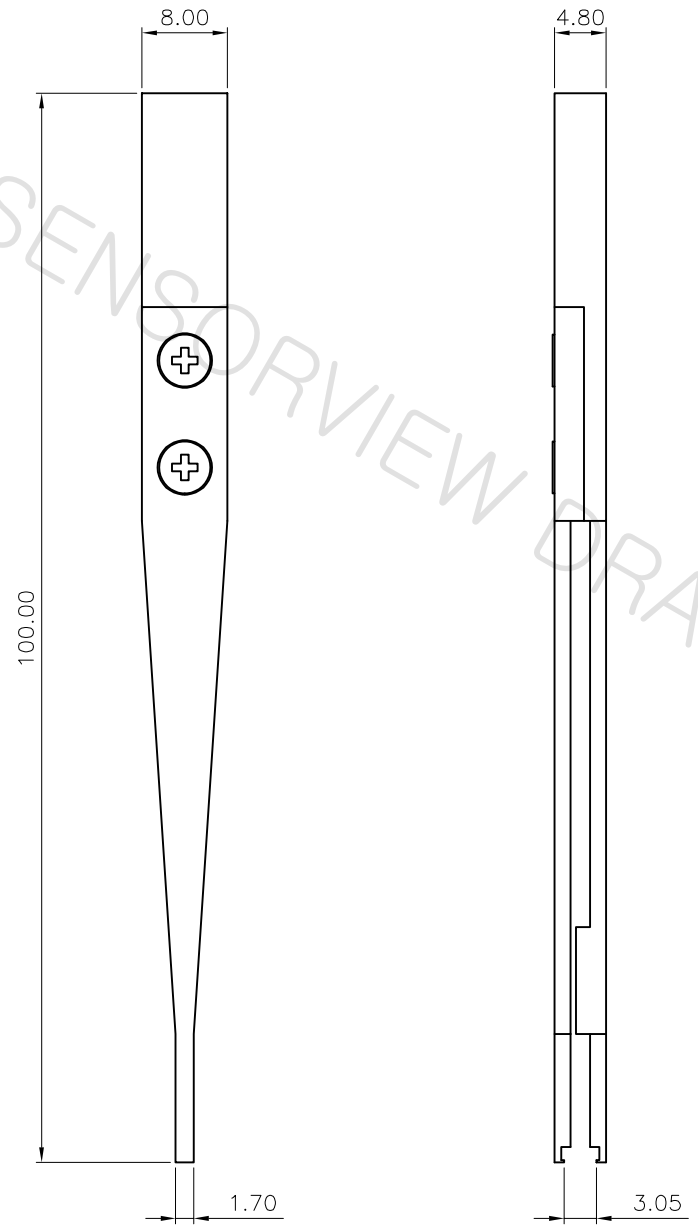
2

3

4

REVISION

NO.	CHANGE CONTENTS	CHANGE CAUSE
-----	-----------------	--------------



- NOTES:
 1. MATERIAL
 1.1. TWEEZERS : SKD (Cr-Plated)
 1.2. SCREW : STS

NO.	PART NO.	DESCRIPTION				Q'TY	MATERIAL	REMARKS	REV.
MATERIAL	*SEE NOTE.1	DRAW	DESIGN	CHECK	APPRO.	TITLE MATING AND UNMATING TOOL			
FINISH	*SEE NOTE.1	JK.Choi	/	DH.Kang	SC.Cho	P/N GJSZZA7			
TOLERANCE	Decimal Angle	±0.05		22.01.11	22.01.11	22.01.11			
SCALE	2/1	UNITmm	MODEL	MG215M					A3
REVISION	DRAFT SHEET	1/1							

1

2

3

4