

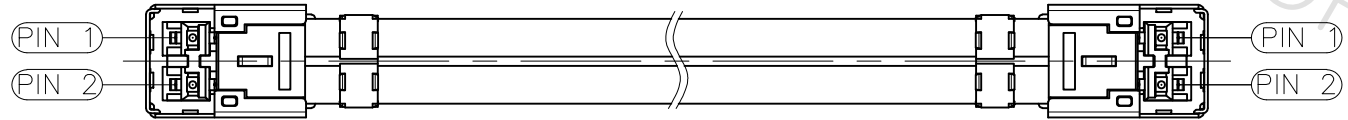
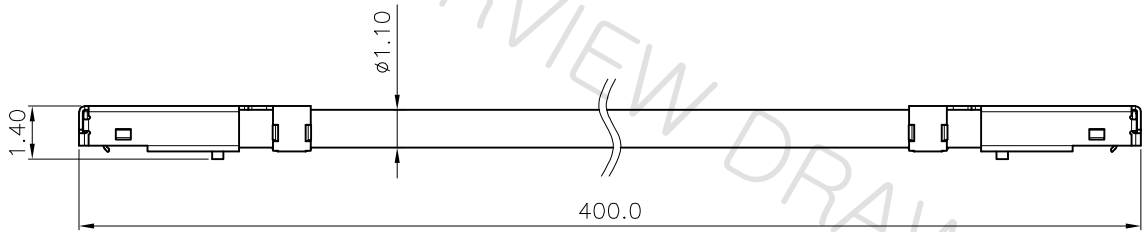
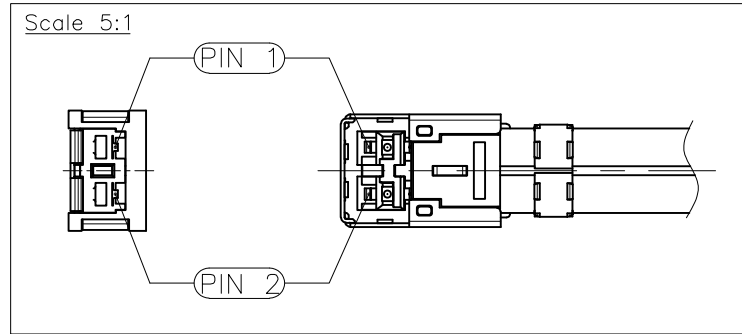
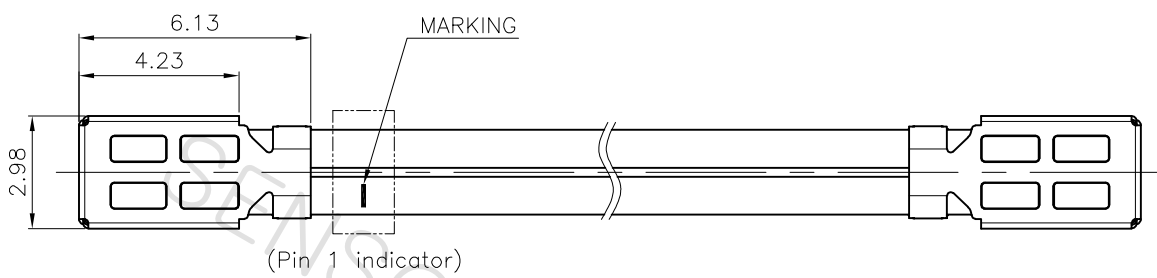
1

2

3

4

NO.		CHANGE CONTENTS	REVISION	CHANGE CAUSE
-----	--	-----------------	----------	--------------



There is no twist of cable and no twist in plug.
Each RF signals goes straight to the other end.

NOTES:

- THIS PRODUCT IS AN ASSEMBLY OF 2 LINES OF AWG30 CABLE AND PLUGS AT BOTH ENDS
- CONN. MATERIAL
 - HOUSING : Zn (Au-Plated)
 - SIGNAL PIN : BeCu (Au-Plated)
 - INSULATOR : LCP
 - SHELL : STS (Ni-Plated)
- CABLE MATERIAL
 - CONDUCTOR : SILVER PLATED COPPER
 - INSULATOR : LDPFA
 - OUTER CONDUCTOR : SILVER PLATED COPPER WIRE /COPPER TAPE
 - JACKET : FEP
- ELECTRICAL CHARACTERISTICS
 - FREQUENCY : DC ~ 15GHz
 - IMPEDANCE : Typ. 50Ω
 - RETURN LOSS : MAX. -15dB
 - INSERTION LOSS. : Typ. -2.20dB
 - CROSSTALK : Typ. -50 dB
- PIN ASSIGNMENT

NO.	PART NO.	DESCRIPTION				Q'TY	MATERIAL	REMARKS	REV.
MATERIAL	*SEE NOTE.2	DRAW	DESIGN	CHECK	APPRO.	TITLE			
FINISH	*SEE NOTE.2	JK.Choi		DH.Kang	SC.Cho	PLUG CABLE ASS'Y			
TOLERANCE	Decimal Angle					P/N			
	N/A	22.10.31		22.10.31	22.10.31	MGC15204			
SCALE	5/1 UNITmm	MODEL		MG215M					A4
REVISION	DRAFT SHEET	1/1							



1

2

3

4